



* All images are for illustrative purposes only.

Transparent OLED 55EW5G-A

LG Transparent OLED

LG Transparent OLED displays offers new ways to communicate visually and opens up a whole new level of creativity that even conventional digital signage cannot offer.



Astonishing
Transparency



Color with
Great Depth



Product
Reliability



3M long MCX Cables
(Accessory)

SECURITY & COMPATIBILITY



High Transparency

LG's Transparent OLED technology has a slim structure, not requiring a backlight unit or liquid crystal layer. It achieves a high transparency of 38% which is much higher than conventional transparent LCD displays (10%*). While clearly showing objects behind the screen, it overlays the relevant information immediately within the viewers' main focus.

* Based on LG's WFB series



Accurate and Vivid Colors

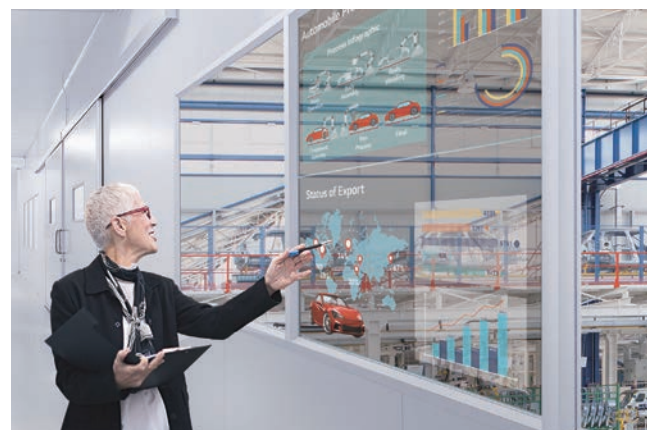
Featuring self-lighting pixels, this display maintains vivid colors and high contrast ratio even when the display becomes transparent. It brings content to life from wide viewing angles, and the content blends into its surroundings seamlessly and naturally.



Protective Tempered Glass

Touching a display directly can cause damage or scratches. The tempered front glass protects product from such external impacts and its anti-shatter glass is designed to minimize customers' injuries.

* Optically Clear Adhesive



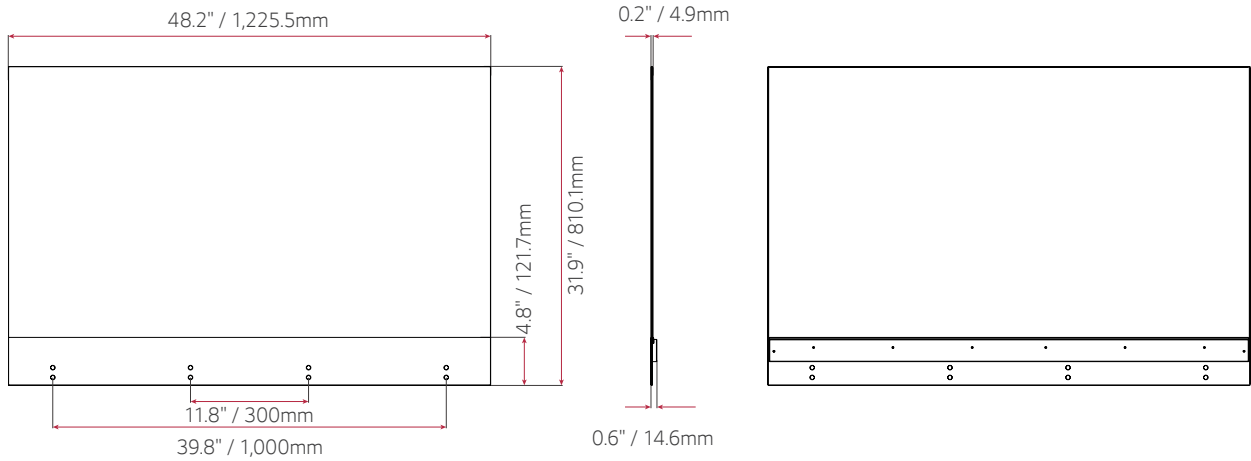
Expandable Design

LG Transparent OLED Signage is designed as a semi-assembled display, meaning you can install it in various ways to fit into existing structures and spaces. With a variety of forms of installation*, it can complement any venue in which it is installed.

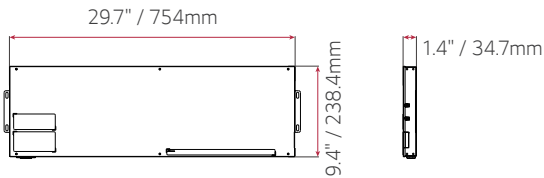
* Installation accessories are not supplied by LG.

DIMENSIONS

55"



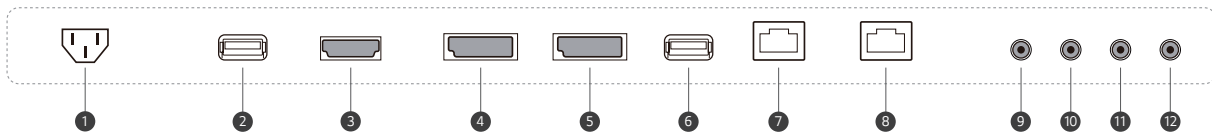
SIGNAGE BOX



CONNECTIVITY

SIGNAGE BOX

REAR



- | | | | |
|----------------------|----------------------|-----------|---------------|
| ① AC-IN | ④ DP IN | ⑦ LAN IN | ⑩ RS-232C IN |
| ② USB IN 2 (USB 2.0) | ⑤ DP OUT | ⑧ LAN OUT | ⑪ RS-232C OUT |
| ③ HDMI IN | ⑥ USB IN 1 (USB 2.0) | ⑨ IR IN | ⑫ AUDIO OUT |

* Dimensions & Jack Panels (Read/Side) may differ from the above image, so please contact LG sales team to verify before ordering.

SPECIFICATIONS

PANEL	MODEL	55EW5G-A	
	Screen Size	55"	
	Panel Technology	OLED	
	Aspect Ratio	16:9	
	Native Resolution	1920 x 1080 (FHD)	
	Refresh Rate	120Hz	
	Brightness	400 nits	
	Contrast Ratio	150,000:1	
	Color gamut	BT709 120%	
	Viewing Angle (H x V)	178° x 178°	
	Color Depth	1.07 Billion colors	
	Response Time (G to G)	1 ms	
	Surface Treatment (Haze)	Hard coating (2H)	
	Lifetime (Typ.)	30,000 Hrs	
CONNECTIVITY	Operation Hours (Hours/Day)	18/7 (Moving Content Only)	
	Portrait / Landscape	Yes / Yes	
	HDMI	Yes (1), HDCP1.4	
	DP	Yes (1), HDCP1.3	
	RS232C In	Yes (1)	
	RJ45(LAN)	Yes (1)	
	IR In	Yes (1), External IR Receiver	
	USB In	USB2.0 Type A(2)	
	DP Out	Yes (1)	
	Audio Out	Yes (1)	
	RS232C OUT	Yes (1) (w/ IR out)	
	RJ45 (LAN)	Yes (1)	
	MECHANICAL	Bezel Color	Transparent
		Bezel Width (T/R/L/B):	7.9 / 7.9 / 7.9 / 121.7 mm
Weight		25.6 lbs / 11.6 kg	
Weight - Signage box		7.5 lbs / 3.4 kg	
Shipping Weight		50.9 lbs / 23.1kg	
Dimensions (W x H x D)		48.2 x 31.9 x 0.2 in / 1225.5 x 810.1 x 4.9 mm	
Dimensions - Signage Box (W x H x D)		30.8 x 9.4 x 1.4 in / 782.8 x 238.4 x 34.7 mm	
Shipping Dimensions (W x H x D)		53.0 x 36.2 x 8.1 in / 1345 x 920 x 207mm	
VESATM Standard Mount Interface		No	
Protection Glass		Depth	3.0mm
		Chemical Strengthening	Yes
		Anti-Reflective Shatter-Proof	Yes (Film)
Operation Temperature		32°F to 104°F / 0°C to 40°C	
Operation Humidity		10 % to 80 %	
KEY FEATURES	Internal Memory	16 GB	
	Temperature Sensor	Yes	
	webOS ver.	webOS 4.0	
	Local Contents Scheduling	Yes	
	Group Manager	Yes	
	USB Plug & Play	Yes	
	Fail over	Yes	
	RS-232C Sync	Yes	
	Local Network Sync	Yes	
	Video Tag	Yes (4)	
	Screen Rotation	Yes	
	External Input Rotation	Yes	
	Gapless Playback	Yes	
	Tile Mode Setting	Yes	
	Setting Data Cloning	Yes	
	SNMP	Yes	
	ISM Method	Yes	
	Auto Set ID	Yes	
	Status Mailing	Yes	
	Control Manager	Yes	
	Crestron Inside	Yes	
	PM mode	Yes	
	Wake on LAN	Yes	
	HDMI-CEC	Yes	
SI Server Setting	Yes		
ProIdiom DRM	Yes		
POWER	Power Supply	100-240 Vac, 50/60Hz	
	Power Type	Built-In Power	
	Typ. Power Consumption	250W / 853.03 BTU/Hr	
	Max. Power Consumption	280W / 955.39 BTU/Hr	
	DPM	3W	
	Power off	0.5W	
LG SOFTWARE & SERVICES*	SuperSign CMS	Yes (v3.0)	
	SuperSign Control / Control+	Yes (v1.7 / v1.9)	
	SuperSign WB	Yes (v3.7.15)	
	SuperSign Media Editor	Yes (v3.7)	
	LG ConnectedCare	Yes	
WARRANTY & OTHER	Warranty	3 Year Limited	
	EMC	IEC 60950-1 / EN 60950-1 / UL 60950-1	
	Regulatory	FCC Class "A" / CE / KC	
	ErP	Yes	
	Basic Accessories	Remote Control (battery 2ea), Power Cord, QSG, IR receiver, Regulation Book, Phone to RS232C Gender, MCX/Harness Cables (3000mm x 4ea / 3000mm x 2ea) for connection between panel and Signage Box, DP Cable (2m), LAN Cable (1.5m), RS232 Cable (4P-4P,1.5m), LC Cable (VLC, 3m)	
	Optional Accessories	Stand (ACC-S-EWSF, 2 Poll)	